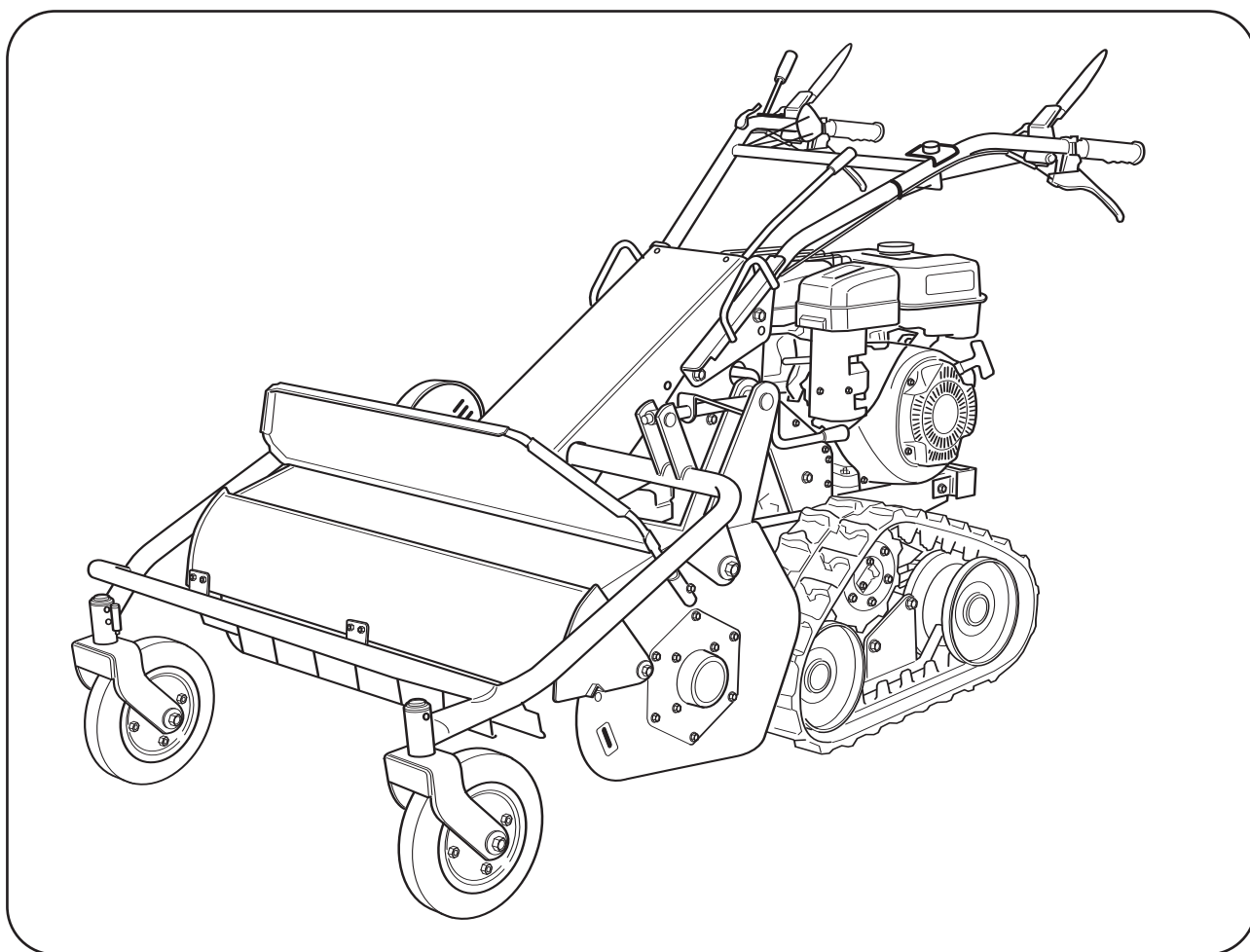


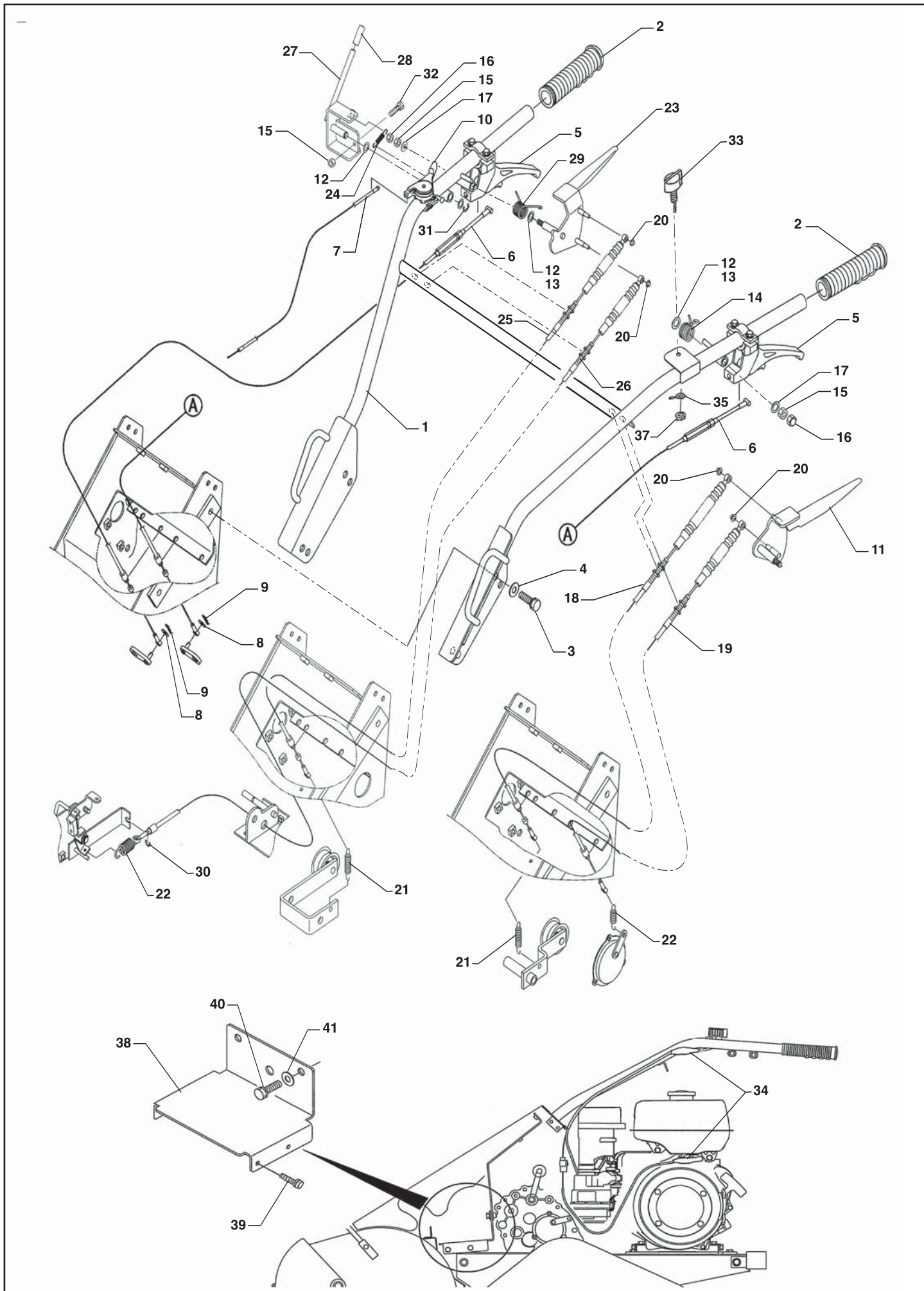
Pièces de rechange

Spare parts list

FAUCHEUSE A FLÉAUX

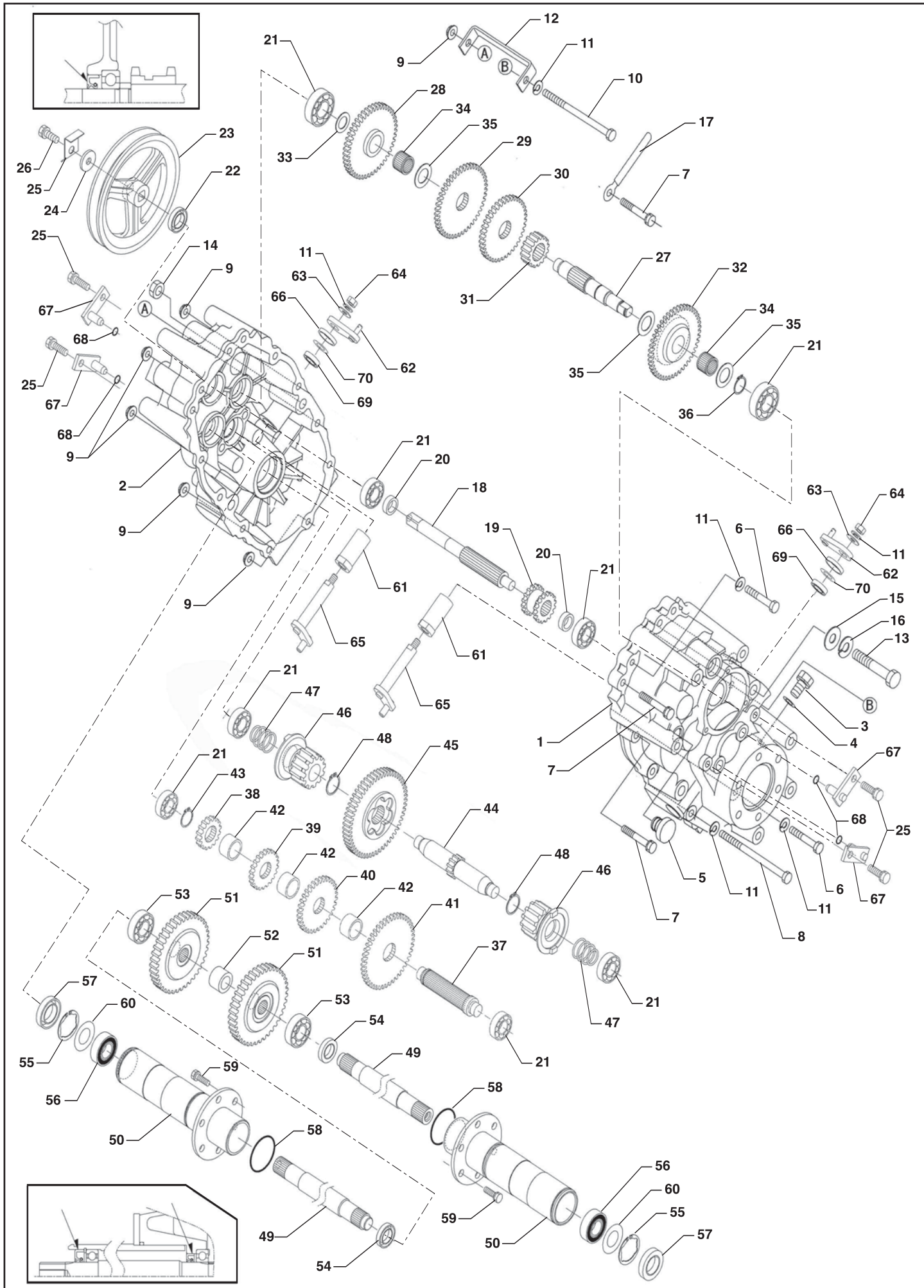
FLAIL MOWER







| Rep N° | Nouvelle Réf. New Ref. | Ancienne Réf. Old Ref. | Désignation | Description | Qté Qty |
|--------|---------------------------|---------------------------|-------------------------------|-----------------------------|------------|
| 1 | | PM80 2051 000 02 | Guidon (noir) | Handle PU (black) | 1 |
| 2 | | 63633-4131-2 | Poignée caoutchouc | Handle grip | 2 |
| 3 | | F154 0112 030 | Boulon M12x30 | M12 x 30 Bolt | 4 |
| 4 | | 0350 0151 226 | Rondelle M12 | M12 Washer | 4 |
| 5 | | KK221-42941 | Poignée d'embrayage | Side clutch lever | 2 |
| 6 | 0002010485 | PM80 2205 000 | Câble d'embrayage | Side clutch wire | 2 |
| 7 | 0002010484 | PM80 2210 000 | Câble | Wire | 1 |
| 8 | | 0350 0130 613 | Rondelle M6 | M6 Washer | 2 |
| 9 | | 0523 0106 000 | Goupille Beta Ø 6 | Snap pin Ø 6 | 2 |
| 10 | | 0687 2025 431 | Commande de gaz | Throttle lever | 1 |
| 11 | | PM80 2101 000 02 | Levier embrayage avancement | Drive clutch lever | 1 |
| 12 | | 0731 0101 216 | Rondelle | Liner | 1 |
| 13 | | 0731 0101 210 | Rondelle | Liner | - |
| 14 | | PM80 2106 000 01 | Ressort | Spring | 1 |
| 15 | | A301 0108 002 | Ecrou M8 | M8 Nut | 1 |
| 16 | | A341 0130 802 | Enjoliveur M8 | M8 domed cap nut | 1 |
| 17 | | 0350 0140 818 | Rondelle M8 | M8 Washer | 1 |
| 18 | 0002010480 | PM80 2111 000 02 | Câble avance | Drive wire | 1 |
| 19 | 0002010481 | PM80 2121 002 3 | Câble frein | Brake wire | 1 |
| 20 | | 1924 2107 000 | Enjoliveur | Cap nut | 1 |
| 21 | | CM80 2126 000 01 | Ressort | Spring | 2 |
| 22 | | 1416 1321 000 | Ressort | Spring | 1 |
| 23 | | PM80 2151 000 01 | Levier embrayage coupe | Tine clutch lever | 1 |
| 24 | | PM80 2153 000 | Ressort | Spring | 1 |
| 25 | 0002010482 | PM80 2156 000 01 | Câble embrayage coupe | Tine clutch wire | 1 |
| 26 | 0002010483 | PM80 2158 001 1 | Câble de frein | Brake wire | 1 |
| 27 | | PM80 2163 001 12 | Levier verrouillage coupe | Lock lever | 1 |
| 28 | | 2714 4212 000 | Capuchon plastique | Grip | 1 |
| 29 | | PM80 2164 000 | Ressort | Spring | 1 |
| 30 | | 0742 0100 800 | Clip Ø 8 | E clip Ø 8 | 1 |
| 31 | | 0742 0100 700 | Clip Ø 7 | E clip Ø 7 | 1 |
| 32 | | A544 0708 030 | Ecrou M8x30 (tête hexagonale) | Bolt M8x30 (hexagon socket) | 1 |
| 33 | | P506 2165 000 | Bouton d'arrêt | Stop switch | 1 |
| 34 | | P506 2163 000 01 | Fixation câble | Shrink tube | 1 |
| 35 | | PM80 0661 000 | Câble électrique | Lead wire | 2 |
| 37 | | F301 0108 000 | Ecrou | Nut | 3 |
| 38 | | PM80 0633 000 | Support (rouge) | Holder (red) | 1 |
| | | PM80 0643 000 | Support (bleu) | Holder (blue) | 1 |
| 39 | | F154 0108 020 | Boulon M8x20 | M8x20 Nut | 4 |
| 40 | | F154 0110 020 | Boulon M10x20 | M10x20 Nut | 2 |
| 41 | | 0350 0151 026 | Rondelle | Washer | 2 |

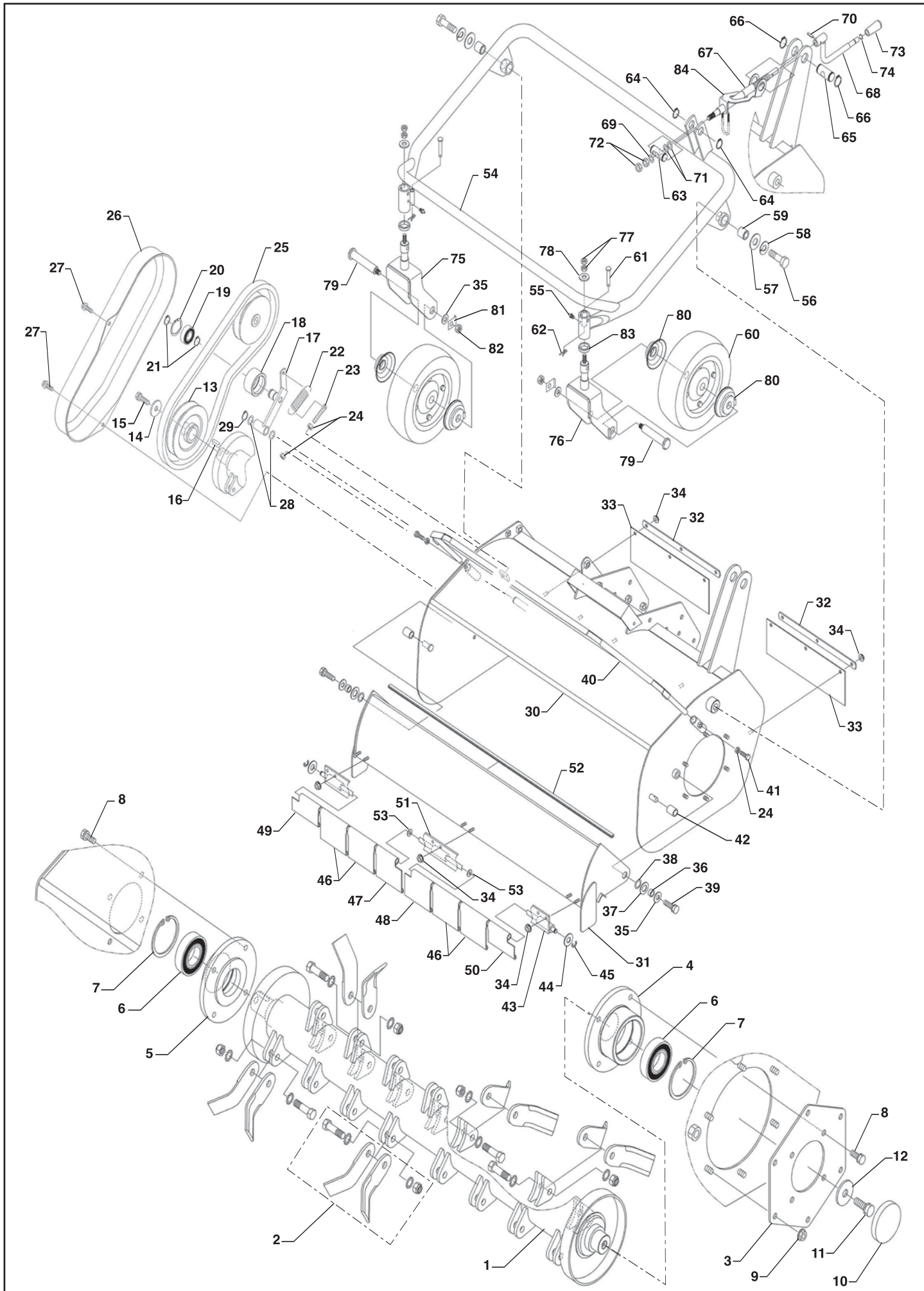




| Rep N° | Nouvelle Réf. New Ref. | Ancienne Réf. Old Ref. | Désignation | Description | Qté Qty |
|--------|---------------------------|---------------------------|----------------------------|--------------------------|------------|
| 1 | 0002010466 | CM80 1001 000 04 | Carter Transmission Gauche | Transmission case L | 1 |
| 2 | 0002010467 | CM80 1005 001 | Carter Transmission Droit | Transmission case R | 1 |
| 3 | | F050 0110 012 | Vis M10x12 | M10x12 Bolt | 1 |
| 4 | | 0833 1001 000 | Rondelle joint M10 | M10 Seal washer | 1 |
| 5 | | 1495 1005 000 | Bouchon | Plug | 1 |
| 6 | | A514 0108 050 | Vis M8x50 | M8x50 Bolt | 2 |
| 7 | | F154 0108 120 | Vis M8x50 | M8x50 Bolt | 9 |
| 8 | | A054 0108 120 | Vis M8x120 | M8x120 Bolt | 1 |
| 9 | | F301 0108 001 | Ecrou M8 | M8 Nut | 13 |
| 10 | | A054 0108 125 | Vis M8x125 | M8x125 Bolt | 1 |
| 11 | | A360 0100 802 | Rondelle joint M8 | M8 Seal washer | 6 |
| 12 | 0002010468 | CM80 1008 000 01 | Plat (arrêt) | Plate (stopper) | 1 |
| 13 | | A054 0112 140 | Vis M12x140 | M12x140 Bolt | 1 |
| 14 | | A301 0112 002 | Ecrou M12 | M12 Nut | 1 |
| 15 | | 0350 0151 226 | Rondelle M12 | M12 Washer | 1 |
| 16 | | A360 0101 202 | Rondelle joint M12 | M12 Seal washer | 1 |
| 17 | | 0050 2110 083 | Collier L=95 | Clamp L=95 | 1 |
| 18 | | PM80 1051 000 | Axe 1 | Shaft 1 | 1 |
| 19 | | PM80 1052 000 | Pignon 16D-16D | Gear 16T-16T | 1 |
| 20 | | PM80 1055 000 01 | Collier | Collar | 2 |
| 21 | | 0750 0062 020 | Roulement 6202 | Ball bearing 6202 | 8 |
| 22 | | 0840 1015 307 | Joint TC 15x30x7 | Oil seal 15x30x7 (TC) | 1 |
| 23 | | 1429 1061 000 01 | Poulie PCD143 | V pulley PCD143 | 1 |
| 24 | | 0350 0160 826 | Rondelle M8 | M8 Washer | 1 |
| 25 | | F154 0108 020 | Plaque de fixation | Plate | 5 |
| 26 | | 1469 1063 000 | Vis M8x20 | M8x20 Bolt | 1 |
| 27 | | PM80 1101 000 | Axe 2 | Shaft 2 | 1 |
| 28 | | PM80 1102 000 | Pignon 45D | Gear 45T | 1 |
| 29 | | PM80 1103 000 | Pignon 45D | Gear 45T | 1 |
| 30 | | PM80 1104 000 | Pignon 38D | Gear 38T | 1 |
| 31 | | PM80 1111 000 | Pignon 16D | Gear 16T | 1 |
| 32 | | PM80 1112 000 01 | Pignon 45D-28D | Gear 45T-28T | 1 |
| 33 | | 2761 3113 000 | Rondelle B | Liner B | 1 |
| 34 | | 1490 1166 000 | Roulement K18x22x17 | Needle bearing K18x22x17 | 2 |
| 35 | | 1456 1157 000 | Rondelle de butée B | Thrust liner B | 3 |
| 36 | | 0740 0001 800 | Circlips Ext. Ø 18 | C Ring Ø 18 | 1 |
| 37 | | PM80 1151 000 | Axe 3 | Shaft 3 | 1 |
| 38 | | PM80 1156 000 | Pignon 15D | Gear 15T | 1 |
| 39 | | PM80 1157 000 | Pignon 22D | Gear 22T | 1 |
| 40 | | PM80 1158 000 | Pignon 32D | Gear 32T | 1 |
| 41 | | PM80 1159 000 | Pignon 45D | Gear 45T | 1 |
| 42 | | PM80 1160 000 | Collier | Collar | 3 |
| 43 | | 0740 0002 000 | Circlips Ext. Ø 20 | C Ring Ø 20 | 1 |
| 44 | | CM80 1201 000 01 | Axe 4 | Shaft 4 | 1 |
| 45 | | PM80 1202 000 | Pignon 55D | Gear 55T | 1 |
| 46 | | CM80 1203 000 01 | Pignon 12D | Gear 12T | 2 |
| 47 | | 5H281-16541 | Ressort | Spring | 2 |
| 48 | | 0740 0002 200 | Circlips Ext. Ø 22 | C Ring Ø 22 | 2 |
| 49 | | CM80 1251 000 07 | Arbre de roue noir | Final shaft black | 2 |
| 50 | | CM80 1253 000 02 | Carter | Housing | 2 |
| 51 | | CM80 1271 000 04 | Pignon 39D | Gear 39T | 2 |
| 52 | | CM80 1272 000 03 | Tube | Pipe | 1 |
| 53 | | 0750 0060 050 | Roulement 6005 | Ball bearing 6005 | 2 |
| 54 | | 0840 1025 408 | Joint TC 25x40x8 | Oil seal 25x40x8 (TC) | 2 |
| 55 | | 0741 0004 701 | Circlips Ext. Ø 47 | C Ring Ø 47 | 2 |
| 56 | | 0750 0560 054 | Roulement 6005 DD | Ball bearing 6005DD | 2 |
| 57 | 0002010470 | 0840 1025 477 | Joint TC 25x47x7 | Oil seal 25x47x7 (TC) | 2 |
| 58 | | 0830 0200 550 | Bague Ø 55 | O Ring Ø 55 | 2 |
| 59 | | F154 0110 035 | Vis M10x35 | Bolt M10x35 | 12 |
| 60 | | 0730 0004 705 | Rondelle t=0,5 | Liner t=0,5 | - |
| | | 0730 0004 710 | Rondelle t=1,0 | Liner t=1,0 | - |
| | | 0730 0004 716 | Rondelle t=1,6 | Liner t=1,6 | - |
| 61 | | CM80 1454 000 04 | Collier | Collar | 2 |
| 62 | | CM80 1456 000 03 | Bras | Arm | 2 |
| 63 | | 0350 0150 822 | Rondelle M8 | M8 Washer | 2 |
| 64 | | A301 0108 002 | Ecrou M8 | M8 Nut | 2 |
| 65 | | CM80 1457 000 01 | Fourchette | Shifter | 2 |
| 66 | | CM80 1458 000 | Collier | Collar | 2 |
| 67 | | CM80 1459 000 02 | Arrêt | Stopper | 4 |
| 68 | | 0830 0100 100 | Bague Ø 10 | O Ring Ø 10 | 4 |
| 69 | | 09500-14246 | Joint TC 14x24x6 | Oil seal 14x24x6 (TC) | 2 |
| 70 | | CM80 1461 000 | Rondelle t=1,0 | Liner t=1,0 | - |

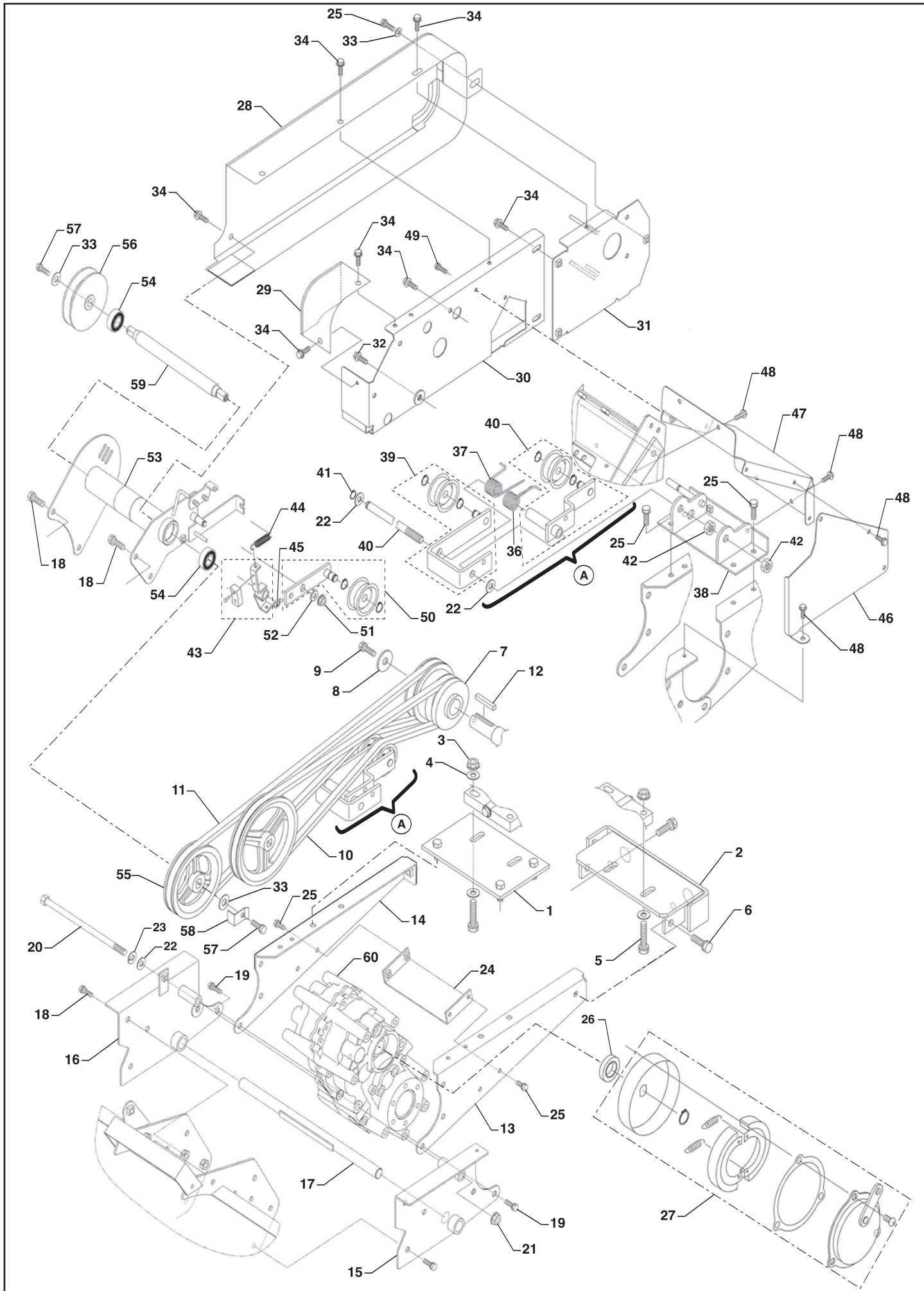


| Rep N° | Nouvelle Réf. New Ref. | Ancienne Réf. Old Ref. | Désignation | Description | Qté Qty |
|--------|---------------------------|---------------------------|--------------------------------------|------------------------------|------------|
| 1 | 0002010455 | PM80 0030 002 | Capot lanceur noir | Recoil cover black | 1 |
| 2 | 0002010456 | PM80 0032 000 01 | Plaque capot lanceur noire | Recoil cover plate black | 1 |
| 3 | 0002010457 | PM80 0035 001 1 | Goujon hexagonal M6 | M6 hexagonal stud bolt | 4 |
| 4 | 0002010458 | PM80 0038 000 | Joint | Rim rubber | 1 |
| 5 | | 0350 0130 615 | Rondelle M6 | M6 Washer | 4 |
| 6 | | A360 0100 602 | Rondelle joint M6 | M6 Seal washer | 4 |
| 7 | | F300 0106 001 | Ecrou M6 | M6 Nut | 4 |
| 8 | | 2678 0443 000 | Tampon | Rubber | 1 |
| 9 | | 0350 0140 618 | Rondelle M6 | M6 Washer | 4 |
| 10 | | 33K 66201-00 | Pompe carburant | Fuel pump | 1 |
| 11 | | 0981 0060 260 | Tuyau Ø 6x260 | Hose Ø 6x260 | 1 |
| 12 | | 0981 0060 220 | Tuyau Ø 6x220 | Hose Ø 6x220 | 1 |
| 13 | | 0981 0060 530 | Tuyau Ø 6x530 | Hose Ø 6x530 | 1 |
| 14 | | PM80 0110 000 | Joint | Hose joint | 1 |
| 15 | | 0050 3111 005 | Clip | Hose clip | 7 |
| 16 | | 0050 2108 063 | Collier L=80 | Clamp L=80 | 1 |
| 17 | | 0050 2108 083 | Collier L=80 | Clamp L=80 | 1 |
| 18 | 0002010459 | PM80 0101 000 | Support noir | Bracket black | 1 |
| 19 | | F050 0406 012 | Vis M6x12 | M6x12 Bolt | 13 |
| 20 | | F050 0106 020 | Vis M6x20 | M6x20 Bolt | 2 |
| 21 | | PM80 1301 000 01 | Châssis gauche noir | Frame L black | 1 |
| 22 | | PM80 1311 000 01 | Châssis droit noir | Frame R black | 1 |
| 23 | | PM80 1306 001 1 | Support (gauche) noir | Support (left) black | 1 |
| 24 | | PM80 1307 001 1 | Support (droit) noir | Support (right) black | 1 |
| 25 | | 63645-17311 | Vis (tension) | Bolt (tension) | 2 |
| 26 | 0002010488 | PM80 1308 000 | Guide chenille noir | Crawler guide black | 2 |
| 27 | | PM80 1331 000 | Couronne dentée d'entraînement noire | Drive sprocket black | 2 |
| 28 | | CM80 1332 000 | Couronne | Sprocket hub | 2 |
| 29 | | CM80 1333 000 | Plateau | Plate | 2 |
| 30 | | CM80 1334 000 01 | Plaque de fermeture | Lock plate | 2 |
| 31 | | F154 0110 025 | Vis M10x25 | M10x25 Bolt | 14 |
| 32 | | F154 0108 020 | Vis M8x20 | M8x20 Bolt | 6 |
| 33 | | F155 0112 030 | Vis M12x30 | M12x30 Bolt | 2 |
| 34 | 0002010491 | 63645-17581 | Chenille (160x65x25) | Crawler (160x65x25) | 2 |
| 35 | | 01123-51230 | Vis M12x30 | M12x30 Bolt | 4 |
| 36 | | 02154-50140 | Ecrou M14 | M14 Nut | 2 |
| 37 | | PM80 1336 000 | Capot gauche noir | Cover L black | 1 |
| 38 | | PM80 1341 000 | Capot droit noir | Cover R black | 1 |
| 39 | | F154 0108 016 | Vis M8x16 | M8x16 Bolt | 4 |
| 40 | | 0830 0100 560 | Joint torique Ø 56 | O-ring Ø 56 | 4 |
| 41 | | A650 0100 600 | Graisseur | Grease nipple | 2 |
| 42 | | 0740 0005 600 | Circlips Ext. Ø 56 | C-ring Ø 56 | 4 |
| 43 | | CM80 1343 000 | Rondelle | Liner | 4 |
| 44 | | PM80 1315 000 | Ensemble de roulement noir | Carrier roller assy. black | 4 |
| 54 | | 0800 0000 600 | Bille 1/4" | Ball 1/4" | 1 |
| 55 | | 1421 1361 000 | Ressort | Spring | 1 |
| 56 | | CM80 1413 000 | Vis | Bolt (detent/breather) | 1 |
| 57 | | 0833 1000 800 | Rondelle M8 | M8 Seal washer | 1 |
| 58 | | CM80 1406 000 03 | Fourchette | Shifter | 1 |
| 59 | | 0840 1012 227 | Joint TC 12x22x7 | Oil seal 12x22x7 (TC) | 1 |
| 60 | | 1490 1605 000 01 | Bouchon | Bore plug | 1 |
| 61 | | CM80 1407 000 05 | Bras | Arm | 1 |
| 62 | | 0550 0006 032 | Goupille Ø 6x35 | Spring pin Ø 6x35 | 1 |
| 63 | | 0550 0006 025 | Goupille Ø 6x25 | Spring pin Ø 6x25 | 1 |
| 64 | | PM80 1408 001 03 | Lever | Lever | 1 |
| 65 | | A300 0108 002 | Ecrou M8 | M8 Nut | 1 |
| 66 | | 0350 0140 818 | Rondelle M8 | M8 Washer | 1 |
| 67 | | A360 0100 802 | Joint M8 | M8 Seal washer | 1 |
| 68 | | 0350 0151 430 | Rondelle M14 | M14 Washer | 1 |
| 69 | | PM80 1409 000 01 | Lever | Lever | 1 |
| 70 | | 0521 0114 000 | Goupille Beta | Snap pin | 1 |
| 71 | | PM80 1411 000 | Support noir | Adjuster black | 1 |
| 72 | | H154 0108 016 | Vis M8x16 | M8x16 Bolt (detent/breather) | 2 |
| 73 | | 0691 0012 250 | Poignée | Grip | 1 |
| 74 | | PM80 2001 000 02 | Ensemble guidon noir | Handle frame black | 1 |
| 75 | | PM80 2002 000 03 | Guide noir | Shift guide black | 1 |
| 76 | | PM80 2009 000 03 | Capot noir | Cover plate black | 1 |
| 77 | | PM80 2012 000 | Caoutchouc de protection | Rim rubber | 1 |
| 78 | | PM80 2011 000 | Capot rouge | Cover plate red | 1 |
| | | PM80 2021 000 | Capot bleu | Cover blue | |
| 79 | | F154 0110 035 | Vis M10x35 | M10x35 Bolt | 4 |
| 80 | | 0350 0151 026 | Rondelle M10 | M10 Washer | 2 |
| 81 | | H154 0108 016 | Vis M8x16 | M8x16 Bolt | 2 |
| 82 | | F050 0406 016 | Vis M6x16 | Bolt | 2 |
| 83 | | CM80 2012 000 01 | Caoutchouc de protection | Rim rubber | 1 |
| 84 | | 26 780 443 000 | Caoutchouc | Rubber | 2 |
| 85 | | 09661-60260 | Tuyau carburant | Fuel tube | 1 |
| 86 | | 09318-88100 | Collier | Hose clamp (Spring) | 1 |



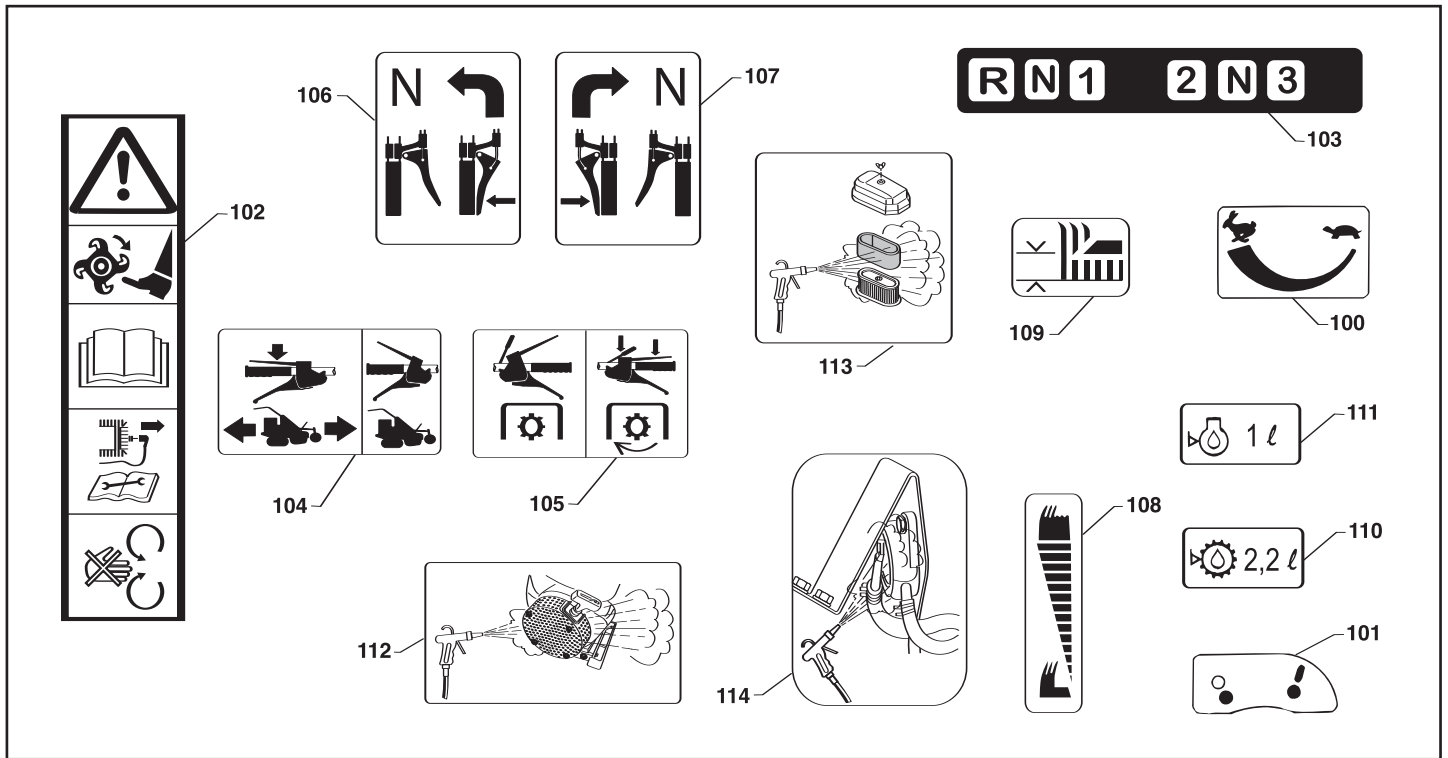


| Rep N° | Nouvelle Réf. New Ref. | Ancienne Réf. Old Ref. | Désignation | Description | Qté Qty |
|--------|---------------------------|---------------------------|---|---|------------|
| 1 | | CM80 3101 001 08 | Fléau noir | Rotary pipe black | 1 |
| 2 | 0002010473 | | Coûteau fléau (10 ctx par sachet + boulons) | Tine blade (10 tines per bag + screws) | - |
| | | 1469 1335 000 | Coûteau à fléau | Flail tine | 46 |
| 3 | | PM80 3115 000 01 | Plaque rouge | Plate red | 1 |
| | | PM80 3125 000 01 | Plaque bleue | Plate blue | 1 |
| 4 | | PM80 3119 000 01 | Support rouge | Holder red | 1 |
| | | PM80 3129 000 01 | Support bleu | Holder blue | 1 |
| 5 | | PM80 3121 000 01 | Support rouge | Holder red | 1 |
| | | PM80 3131 000 01 | Support bleu | Holder blue | 1 |
| 6 | | 0750 0562 064 | Roulement à bille 6206 DD | Ball bearing 6206 DD | 2 |
| 7 | | 0741 0006 200 | Circlips Ext. Ø 62 | C-Ring Ø 62 | 2 |
| 8 | | F154 0108 016 | Vis M8x16 | M8x16 Bolt | 8 |
| 9 | | F301 0108 000 | Ecrou M8 | M8 Nut | 6 |
| 10 | | 0834 0062 100 | Joint | Seal cap | 1 |
| 11 | | F154 0110 020 | Vis M10x20 | M10x20 Bolt | 1 |
| 12 | | 3610 0104 000 | Rondelle M10 | M10 Washer | 1 |
| 13 | | PM80 3201 000 03 | Poulie PCD121 Blanc | V pulley PCD121 White | 1 |
| 14 | | 3610 0104 000 | Rondelle | Washer | 1 |
| 15 | | F154 0110 025 | Vis M10x25 | M10x25 Bolt | 1 |
| 16 | | 0570 0008 025 | Clé 8x7x25 | Key 8x7x25 | 1 |
| 17 | | PM80 3205 000 | Levier de tension noir | Tight arm black | 1 |
| 18 | | CM80 3208 000 02 | Poulie de tension | Tight pulley | 1 |
| 19 | | 0750 0562 044 | Roulement à bille 6204 DD | Ball bearing 6204 DD | 1 |
| 20 | | 0741 0004 701 | Circlips Ext. Ø 47 | C-ring Ø 47 | 1 |
| 21 | | 0740 0002 000 | Circlips Ext. Ø 20 | C-ring Ø 20 | 2 |
| 22 | | 1416 1321 000 | Ressort | Spring | 1 |
| 23 | | CM21 4005 000 | Tendeur | Adjuster | 1 |
| 24 | | A301 0108 002 | Ecrou M8 | M8 Nut | 4 |
| 25 | 0002010472 | PM80 3210 000 | Courroie entraînement latéral | Belt | 1 |
| 26 | | PM80 3215 000 | Capot latéral rouge | Side cover red | 1 |
| | | PM80 3225 000 | Capot latéral bleu | Side cover blue | 1 |
| 27 | | H154 0108 016 | Vis M8x16 | M8x16 Bolt | 2 |
| 28 | | 3132 3011 100 | Rondelle | Liner | 2 |
| 29 | | 0740 0001 500 | Circlips Ext. Ø 15 | C-ring Ø 15 | 1 |
| 30 | | PM80 3311 000 01 | Capot fléau bleu | Rotary cover blue | 1 |
| | | PM80 3301 000 01 | Capot fléau rouge | Rotary cover red | 1 |
| 31 | | PM80 3305 000 | Capot avant noir | Front cover black | 1 |
| 32 | | PM80 3306 000 | Plaque noire | Plate black | 2 |
| 33 | | PM80 3307 000 | Bavette | Rubber | 2 |
| 34 | | F300 0106 001 | Ecrou M6 | M6 Nut | 12 |
| 35 | | 0350 0151 226 | Rondelle M12 | M12 Washer | 4 |
| 36 | | 1469 2217 000 | Bague | Bush | 2 |
| 37 | | 1333 1057 000 | Rondelle | Washer | 2 |
| 38 | | 0833 1001 700 | Joint M17 | M17 Seal washer | 2 |
| 39 | | F155 0112 025 | Vis M12x25 | M12x25 Bolt | 2 |
| 40 | | PM80 3310 000 | Capot de protection noir | Protection cover black | 1 |
| 41 | | A050 0108 020 | Vis M8x20 | M8x20 Bolt | 2 |
| 42 | | 0980 4120 021 | Raccord | Pipe | 2 |
| 43 | | PM80 3322 000 | Tringle | Bar | 1 |
| 44 | | 2750 3822 100 | Rondelle | Washer | 2 |
| 45 | | 0742 0100 700 | Anneau Ø 7 | E-ring Ø 7 | 2 |
| 46 | | PM80 3316 000 | Protection A noire | Cover A black | 4 |
| 47 | | PM80 3317 000 | Protection BR noire | Cover BR black | 1 |
| 48 | 0002010474 | PM80 3318 000 | Protection BL noire | Cover BL black | 1 |
| 49 | 0002010475 | PM80 3319 000 | Protection CR noire | Cover CR black | 1 |
| 50 | 0002010476 | PM80 3329 000 | Protection CL noire | Cover CL black | 1 |
| 51 | 0002010477 | PM80 3320 000 02 | Protection noire | Cover bracket black | 1 |
| 52 | 0002010478 | CM80 3331 000 | Caoutchouc de protection | Rim rubber | 1 |
| 53 | | 04717-01000 | Rondelle | Washer with rubber | 2 |
| 54 | | PM80 3401 000 | Support roue avant noir | Front tire frame black | 1 |
| 55 | | A650 0100 600 | Graisseur | Grease nipple | 2 |
| 56 | | A055 0116 055 | Vis M16x55 | M16x55 Bolt | 2 |
| 57 | | 0350 0151 632 | Rondelle M16 | M16 Washer | 2 |
| 58 | | A360 0101 602 | Joint M16 | M16 Seal washer | 2 |
| 59 | | CM80 3403 000 | Bague | Bush | 2 |
| 60 | | PM80 3419 000 | Roue avant | Front tire | 2 |
| 61 | | 0562 1108 050 | Axe goupille Ø 8x50 | Clevis pin Ø 8x50 | 2 |
| 62 | 0002010487 | 0521 0108 000 | Goupille Beta | Snap pin | 2 |
| 63 | 0002010489 | CM80 3406 000 02 | Goupille A | Pin A | 1 |
| 64 | 0002010337 | 0740 0002 200 | Circlips Ext. Ø 22 | C-ring Ø 22 | 2 |
| 65 | | CM80 3407 000 02 | Goupille B | Pin B | 1 |
| 66 | | 0740 0002 500 | Circlips Ext. Ø 25 | C-ring Ø 25 | 2 |
| 67 | | PM80 3408 000 01 | Vis | Bolt | 1 |
| 68 | | PM80 3409 000 | Sélecteur noir | Arm black | 1 |
| 69 | | 3121 2559 000 | Rondelle butée | Thrust liner | 1 |
| 70 | | 0550 0005 025 | Goupille | Spring pin | 1 |
| 71 | | 3132 3011 100 | Rondelle | Liner | 2 |
| 72 | | A301 0112 002 | Ecrou M12 | M12 Nut | 2 |
| 73 | | 62302-3513-2 | Levier caoutchouc | Lever grip | 1 |
| 74 | | 62302-3515-1 | Circlip | Circlip | 1 |
| 75 | | PM80 3403 000 01 | Fourchette droite noire | Fork R black | 1 |
| 76 | | PM80 3413 000 01 | Fourchette gauche noire | Fork L black | 1 |
| 77 | | A303 0110 002 | Ecrou M10 | M10 Nut | 4 |
| 78 | | 3523 2274 000 | Rondelle M10 | M10 Washer | 2 |
| 79 | | PM80 3425 000 | Axe roue avant | Front tire shaft | 2 |
| 80 | | PM80 3427 000 | Capot roue avant noir | Front tire cover black | 4 |
| 81 | | 62633-3532-3 | Rondelle frein | Lock washer | 2 |
| 82 | | A303 0112 002 | Ecrou M12 | M12 Nut | 2 |
| 83 | | PM80 3429 000 01 | Collier | Collar | 2 |
| 84 | | PM80 3420 000 02 | Guide noir | Guide black | 1 |
| 85 | | PM80 3430 000 | Ressort | Spring | 1 |





| Rep N° | Nouvelle Réf. New Ref. | Ancienne Réf. Old Ref. | Désignation | Description | Qté Qty |
|--------|---------------------------|---------------------------|------------------------------|-------------------------|------------|
| 1 | | PM80 0011 000 01 | Base moteur A noire | Engine base A black | 1 |
| 2 | | PM80 0012 000 02 | Base moteur B noire | Engine base B black | 1 |
| 3 | | F301 0110 001 | Ecrou M10 | M10 Nut | 7 |
| 4 | | 0350 0141 022 | Rondelle M10 | M10 Washer | 6 |
| 5 | | F154 0110 045 | Vis M10x45 | M10x45 Bolt | 4 |
| 6 | | F154 0110 025 | Vis M10x25 | M10x25 Bolt | 4 |
| 7 | | PM80 0201 001 04 | Poulie 76-94 blanche | V pulley 76-94 white | 1 |
| 8 | | MH54 0440 000 | Rondelle M8 | M8 Washer | 1 |
| 9 | | F154 0108 030 | Vis M8x30 | M8x30 Bolt | 1 |
| 10 | 0002010453 | PM80 0205 000 01 | Courroie d'avancement | Belt | 1 |
| 11 | 0002010454 | PM80 0206 000 01 | Courroie entraînement fléaux | Belt | 1 |
| 12 | | 005-30073-51 | Clé | Key | 1 |
| 13 | | PM80 2501 000 02 | Châssis moteur G noir | Engine frame L black | 1 |
| 14 | | PM80 2502 000 02 | Châssis moteur D noir | Engine frame R black | 1 |
| 15 | | PM80 2503 000 | Châssis principal G noir | Main frame L black | 1 |
| 16 | | PM80 2504 000 01 | Châssis principal D noir | Main frame R black | 1 |
| 17 | | CM80 2505 000 03 | Arrêt noir | Stopper black | 1 |
| 18 | | F154 0110 020 | Vis M20x20 | M10x20 Bolt | 10 |
| 19 | | F154 0110 035 | Vis M10x35 | M10x35 Bolt | 8 |
| 20 | | CM80 2512 001 | Vis | Bolt | 1 |
| 21 | | F301 0112 000 | Ecrou M12 | M12 Flange nut | 1 |
| 22 | | 0350 0151 226 | Rondelle M12 | M12 Washer | 3 |
| 23 | | A360 0101 202 | Joint M12 | M12 Seal washer | 1 |
| 24 | | PM80 2508 000 | Plaque anti-vibration | Anti-vibration plate | 1 |
| 25 | | F154 0108 016 | Vis M8x16 | M8x16 Bolt | 9 |
| 26 | | 0840 1015 307 | Joint TC 15x30x7 | Oil seal 15x30x7 TC | 1 |
| 27 | 0002010490 | 1333 1701 001 | Ensemble frein | Brake assy. | 1 |
| 28 | | PM80 1551 001 13 | Capot côté A blanc | Cover A (obverse) white | 1 |
| 29 | | PM80 1556 000 | Capot côté B blanc | Cover B (obverse) white | 1 |
| 30 | | PM80 1561 001 2 | Capot blanc | Cover (reverse) white | 1 |
| 31 | | PM80 1571 000 02 | Guide courroie blanc | Belt guide white | 1 |
| 32 | | H154 0108 020 | Vis M8x20 | M8x20 Bolt | 1 |
| 33 | | 0350 0160 826 | Rondelle M8 | M8 Washer | 3 |
| 34 | | H154 0108 016 | Vis M8x16 | M8x16 Bolt | 13 |
| 35 | | PM80 1602 000 | Ensemble bras tendeur A noir | Tight arm assy. A black | 1 |
| 36 | | CM80 1604 001 1 | Ressort A G | Spring A L | 1 |
| 37 | | CM80 1614 001 1 | Ressort A D | Spring A R | 1 |
| 38 | | PM80 1608 001 2 | Support noir | Bracket black | 1 |
| 39 | | PM80 1612 000 | Ensemble bras tendeur B noir | Tight arm assy. B black | 1 |
| 40 | | PM80 1613 000 01 | Vis | Bolt | 1 |
| 41 | | 0740 0001 200 | Circlips Ext. Ø 12 | C-ring Ø 12 | 1 |
| 42 | | A301 0112 002 | Ecrou M12 | M12 Nut | 2 |
| 43 | 0002010486 | PM80 1616 000 | Ensemble frein | Brake assy. | 1 |
| 44 | | PM80 1618 000 01 | Ressort | Spring C | 1 |
| 45 | | 0742 0100 800 | Anneau Ø 8 | E-ring Ø 8 | 1 |
| 46 | | PM80 1607 000 02 | Capot noir | Cover LH black | 1 |
| 47 | | PM80 1617 001 | Capot noir | Cover LH black | 1 |
| 48 | | F050 0406 012 | Vis M6x12 | M6x12 Bolt | 8 |
| 49 | | F144 0106 012 | Vis M6x12 | M6x12 Bolt | 2 |
| 50 | | PM80 1620 000 | Ensemble bras tendeur C noir | Tight arm assy. C black | 1 |
| 51 | | F301 0108 001 | Ecrou M8 | M8 Nut | 2 |
| 52 | | 0350 0150 822 | Rondelle M8 | M8 Washer | 1 |
| 53 | | PM80 3001 001 01 | Support noir | Counter case black | 1 |
| 54 | | 0750 0560 044 | Roulement 6004 DD | Ball bearing 6004 DD | 2 |
| 55 | | CM80 3005 000 03 | Poulie PCD 115 blanche | V-pulley PCD 115 white | 1 |
| 56 | | PM80 3005 000 03 | Poulie PCD 107 blanche | V-pulley PCD 107 white | 1 |
| 57 | | F154 0108 020 | Vis M8x20 | M8x20 Bolt | 2 |
| 58 | | CM80 3007 000 01 | Plaque de fermeture | Lock plate | 1 |
| 59 | | CM80 3010 000 02 | Axe | Counter shaft | 1 |
| 60 | 0002010492 | | Transmission complète | Assembly transmission | 1 |



| Rep N° | Nouvelle Réf. New Ref. | Ancienne Réf. Old Ref. | Désignation | Description | Qté Qty |
|--------|---------------------------|---------------------------|--|------------------------------|------------|
| 100 | | PF30 3051 000 | Autocollant Commande de gaz | Throttle label | 1 |
| 101 | | PF30 3052 000 | Autocollant Coupe-circuit | Switch label | 1 |
| 102 | | P506 3014 000 | Autocollant Danger | Caution label | 1 |
| 103 | | PM80 3653 000 | Autocollant Levier de vitesse | Shift label | 1 |
| 104 | | PM80 3654 000 | Autocollant Levier d'embrayage Déplacement | Driving clutch label | 1 |
| 105 | | PM80 3655 000 | Autocollant Levier d'embrayage fléaux | Tine clutch label | 1 |
| 106 | | PM80 3656 000 | Autocollant Changement direction (G) | Side clutch label (L) | 1 |
| 107 | | PM80 3657 000 | Autocollant Changement direction (D) | Side clutch label (R) | 1 |
| 108 | | PM80 3658 000 | Autocollant Réglage hauteur de coupe | Mowing height label | 1 |
| 109 | | PM80 3660 000 | Autocollant Réglage hauteur de coupe (ISO) | Mowing height label (ISO) | 1 |
| 110 | | PM80 3661 000 | Autocollant Capacité huile transmission | Transmission oil label | 1 |
| 111 | | PM80 3662 000 | Autocollant Huile moteur | Engine oil label | 1 |
| 112 | | PM80 3663 000 | Autocollant Nettoyage volute du lanceur | Caution label (Recoil cover) | 1 |
| 113 | | PM80 3664 000 | Autocollant Nettoyage Filtre à air | Caution label (Air cleaner) | 1 |
| 114 | | PM80 3666 000 | Autocollant Nettoyage Pompe à essence | Caution label (Pump) | 1 |